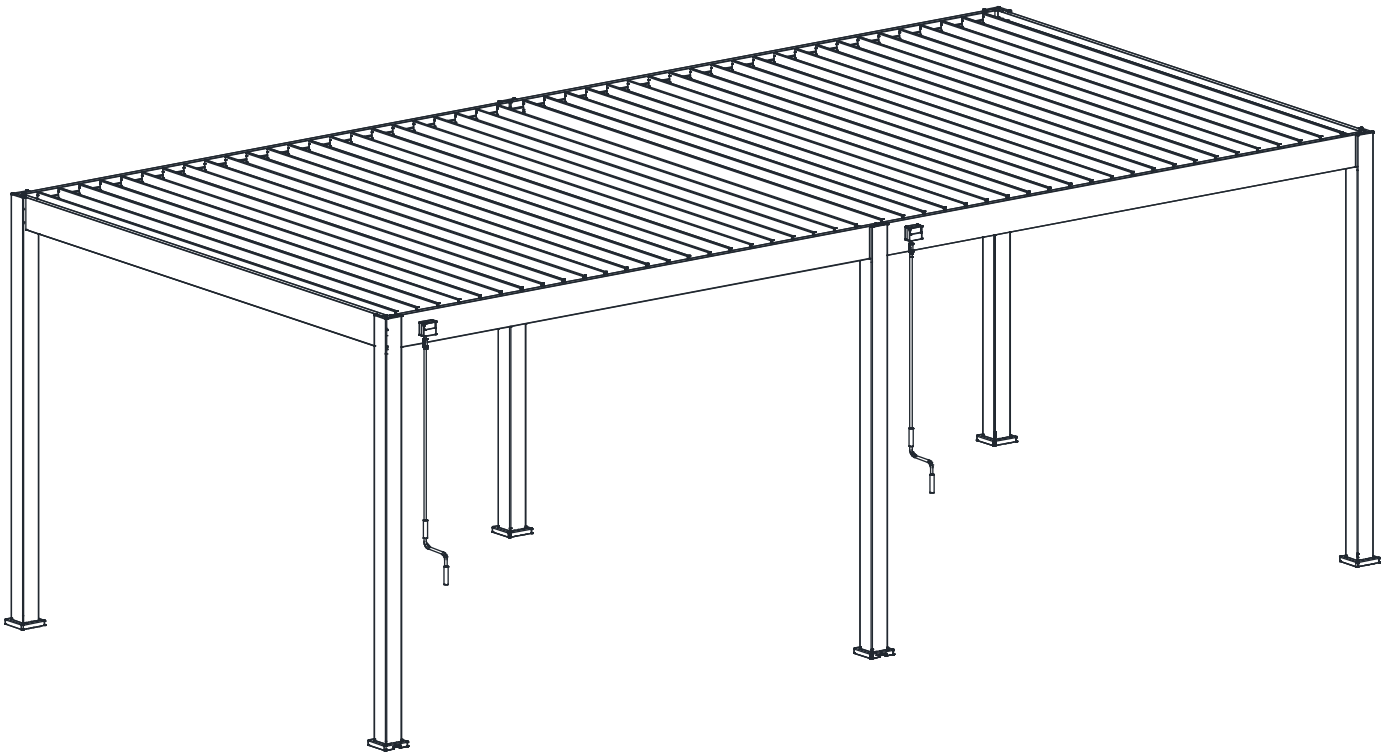
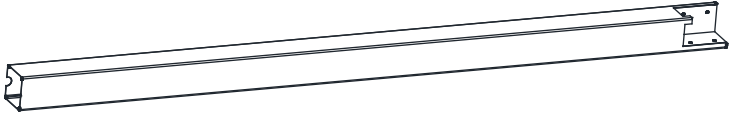
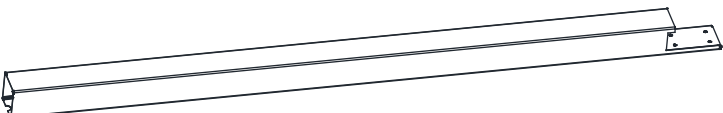
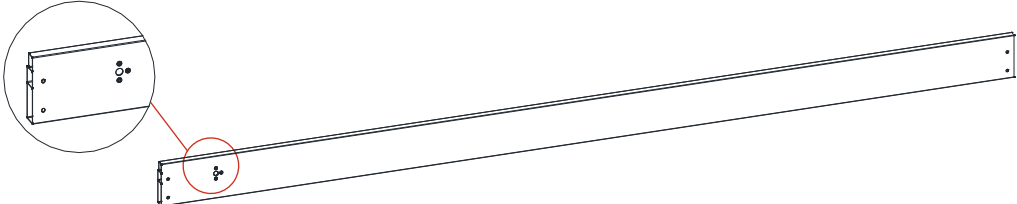
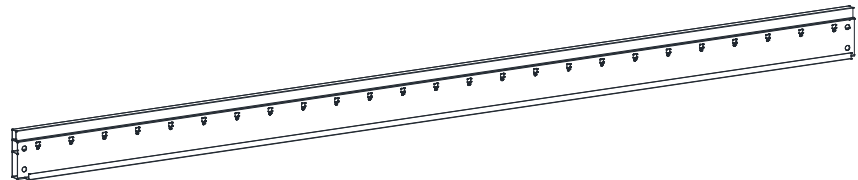
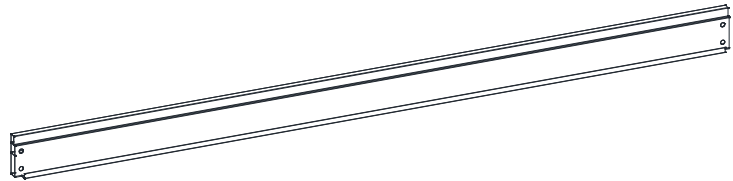
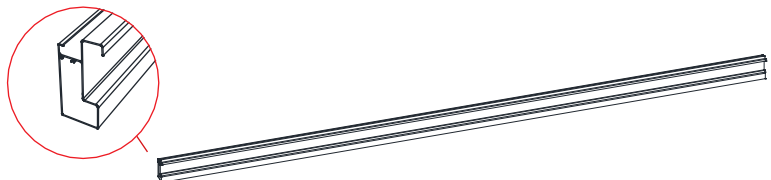
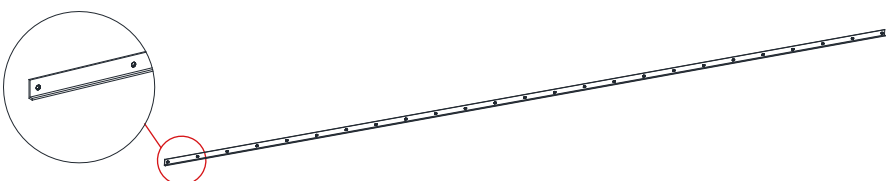
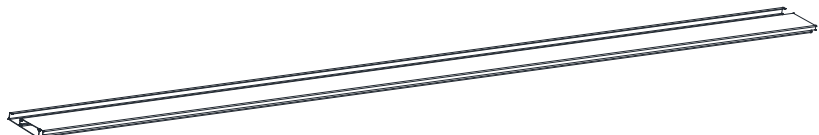



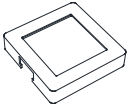
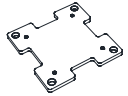
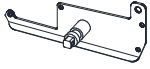
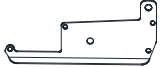
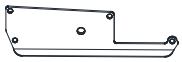

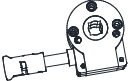
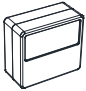

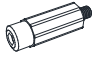
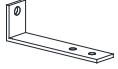




















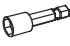
Installation Guide for Pergola 3.6m x 7.2m



Carton	RET	QTY		REF	QTY		REF	QTY
1/7	AO	4		AO-1	2		IO	6
	JO	6		TO	24		XO-1	24
2/7	BO-1	2		BO-2	2		CO	2
	EO	1		FO	2		HO	2
	NO	2		OO	2		PO	2
	QO	24		QO-1	2		RO	24
	SO	92		UO	136		UO-1	34
	VO	102		WO-1	2		XO	66
	XO-2	34		YO	6		ZO-1	1
	ZO-2	1		ZO-3	1		ZO-4	1
	ZO-5	1		ZO-6	1		ZO-7	1
3/7	GO	10		KO	2		LO	44
	LO-1	46		MO	90		WO	368
4/7	GO	9						
5/7	GO	9						
6/7	GO	9						
7/7	GO	9						

REF	PICTURE	QTY
A0		4PCS
A0-1		2PCS
B0-1		2PCS
B0-2		2PCS
C0		2PCS
E0		1PCS
F0		2PCS
G0		46PCS
H0		2PCS

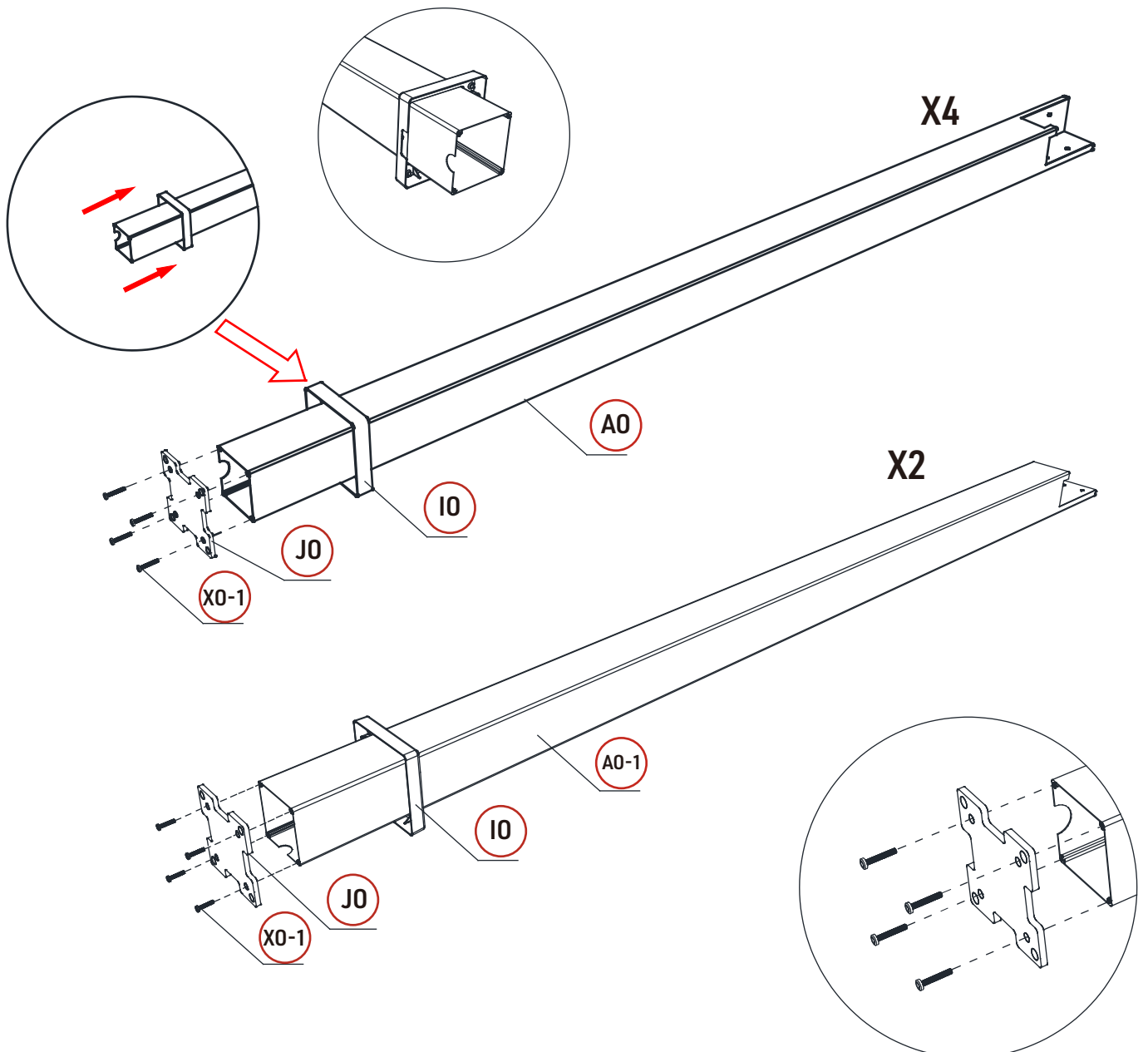
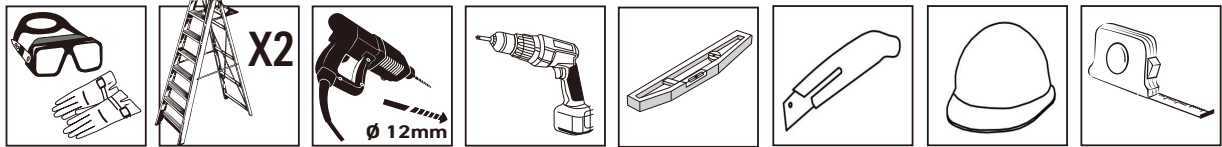
REF	PICTURE	QTY
IO		6PCS
JO		6PCS
KO		2PCS
LO		44PCS
LO-1		46PCS
MO		90PCS
NO		2PCS
OO		2PCS
PO		2PCS
QO		24PCS
QO-1		2PCS
RO		24PCS
SO		92PCS
TO	 8X80	24PCS
UO	 lock nut	136PCS

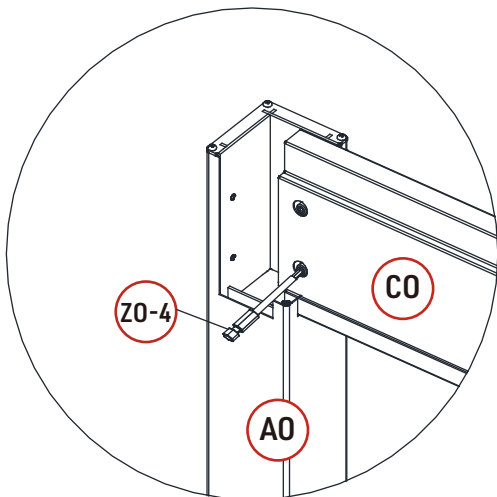
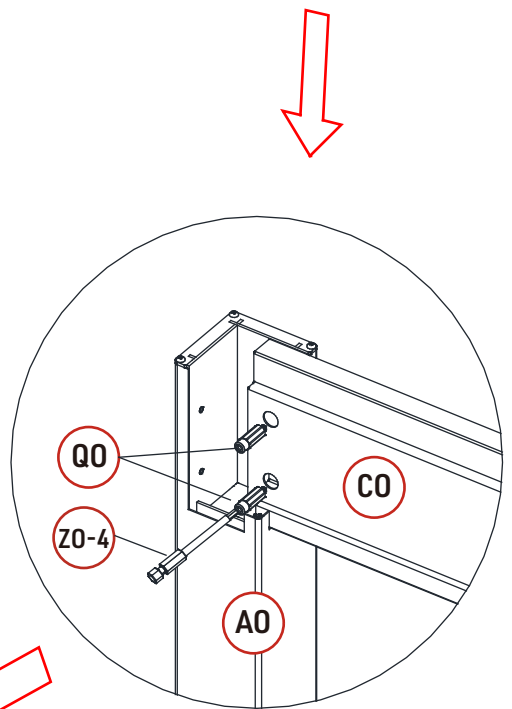
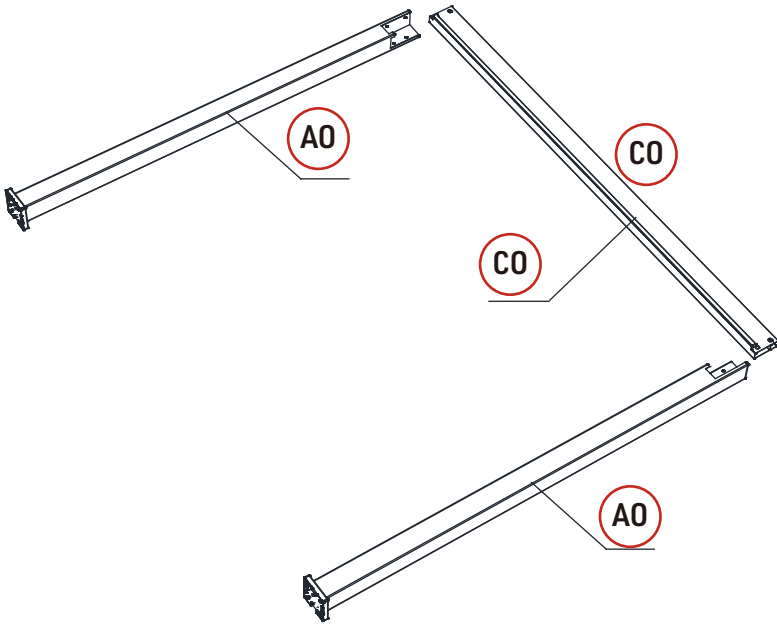
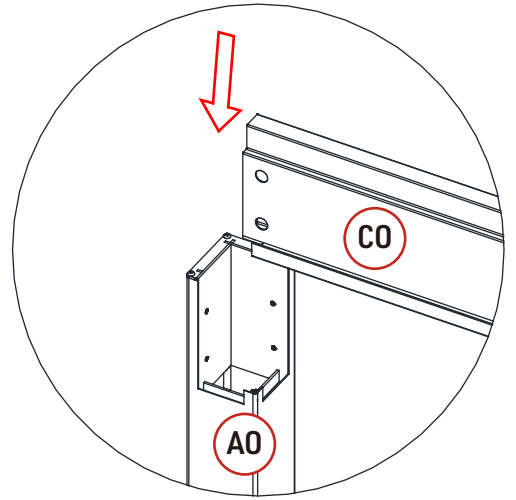
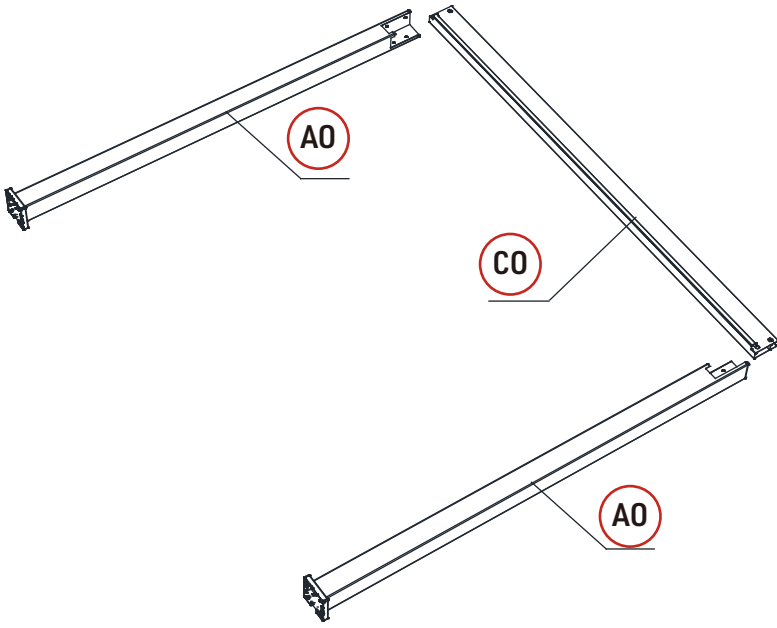
REF	PICTURE	QTY
UO-1	 plastic nut	46PCS
VO		102PCS
WO	 4X16	372PCS
WO-1	 5X19	2PCS
XO	 6X40	90PCS
XO-1	 6X35	24PCS
XO-2	 6X20	92PCS
YO	 6X45	6PCS
ZO-1	 4mm	1PCS
ZO-2	 4mm	1PCS
ZO-3	 6mm	1PCS
ZO-4	 6mm	1PCS
ZO-5	 10mm	1PCS
ZO-6	 T20	1PCS
ZO-7		1PCS

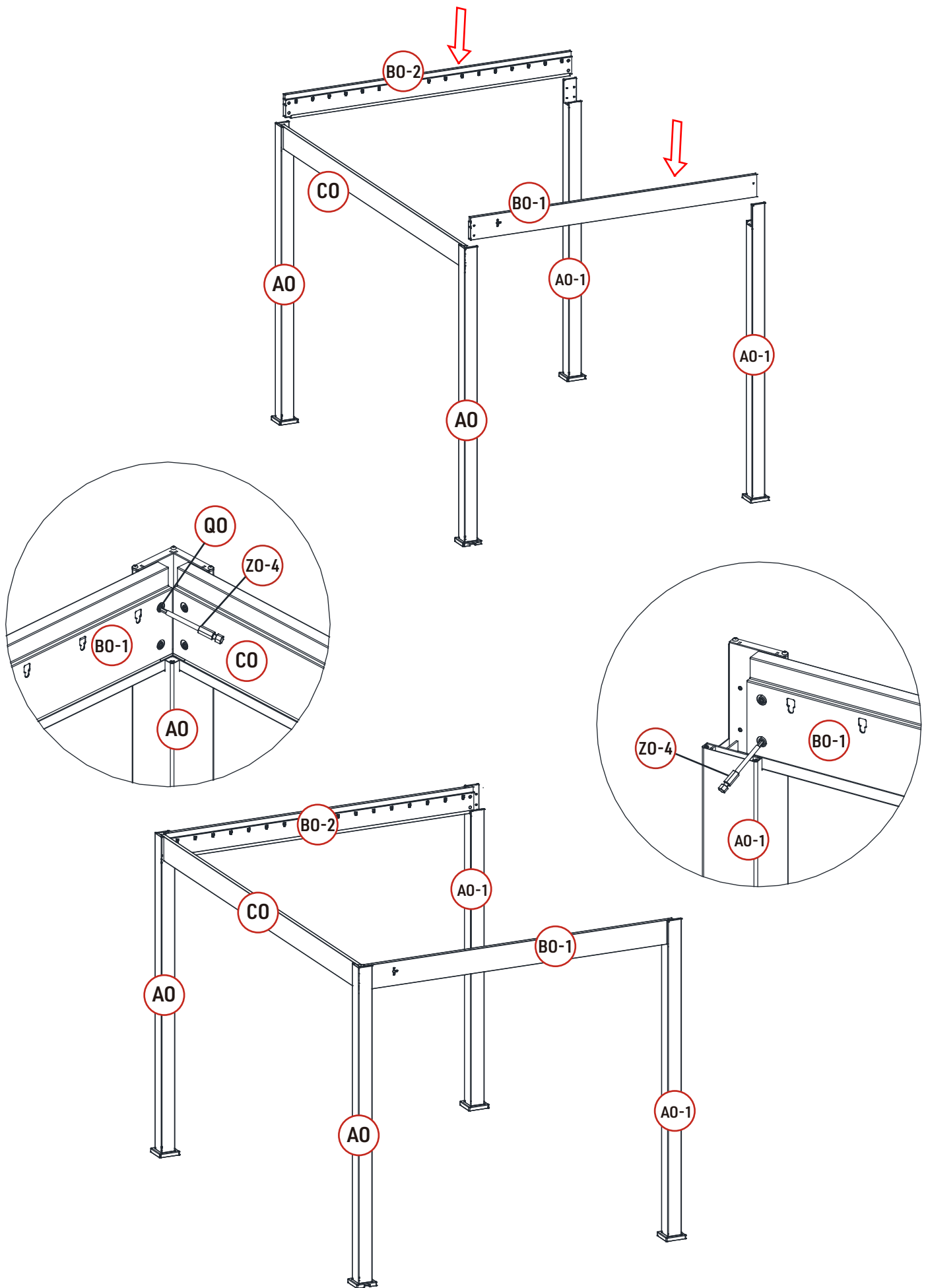
ATTENTION!!!

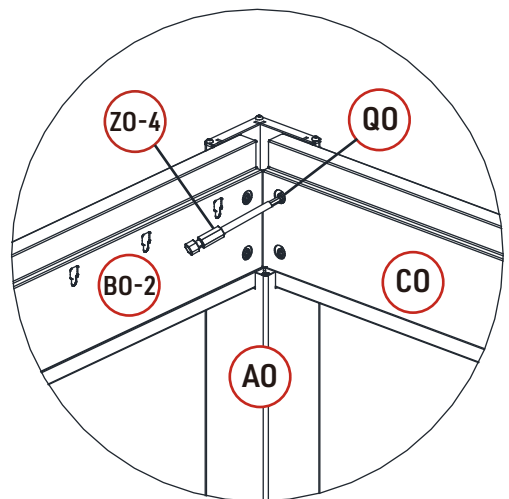
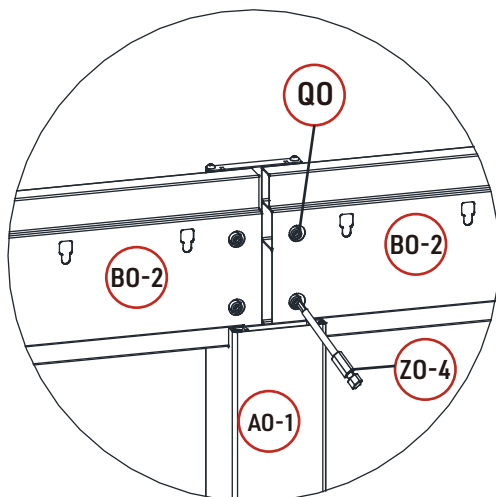
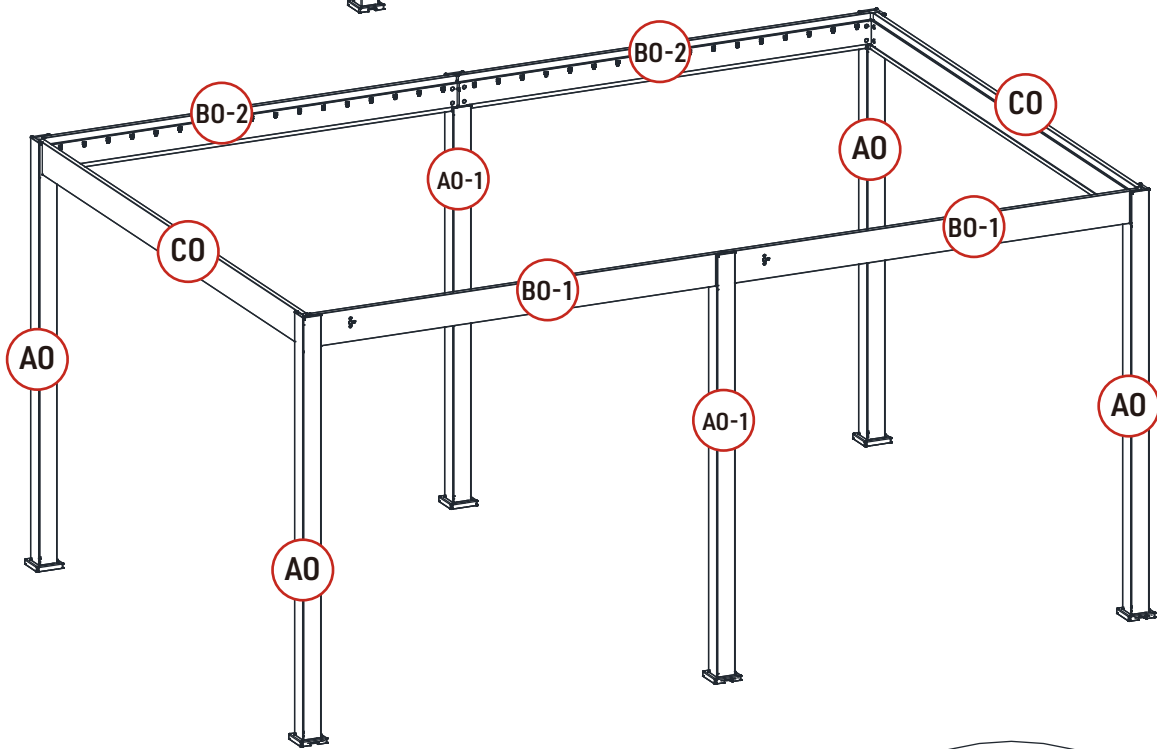
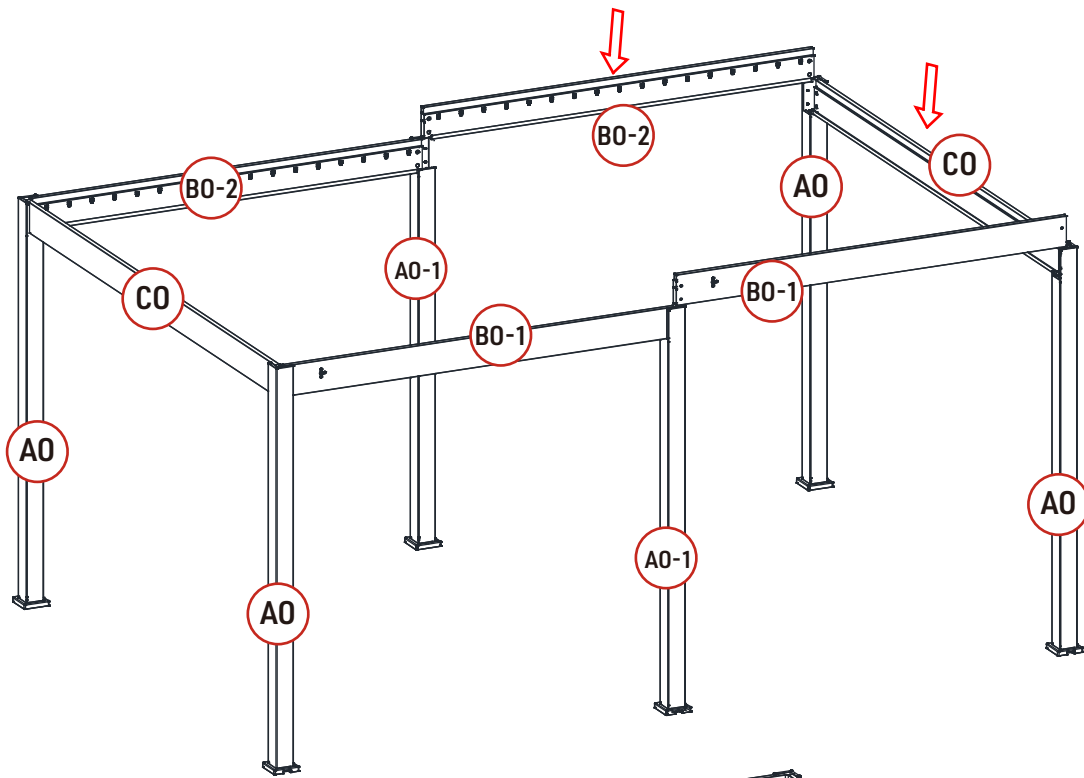
Please open the louvers to vertical in winter and snowing weather to protect your pergola!

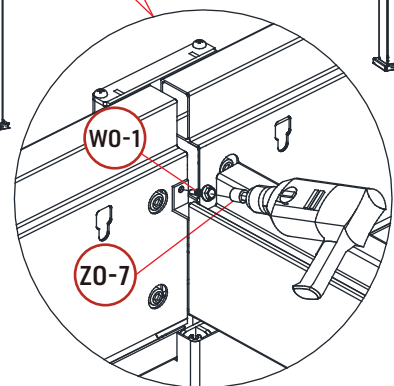
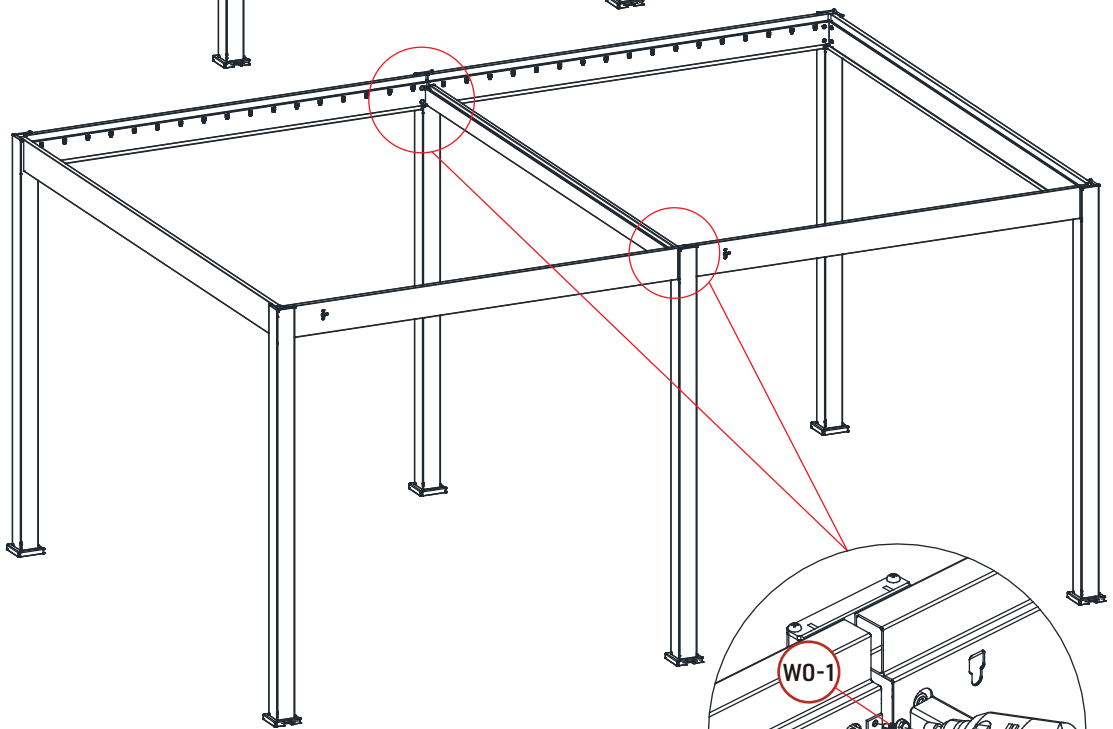
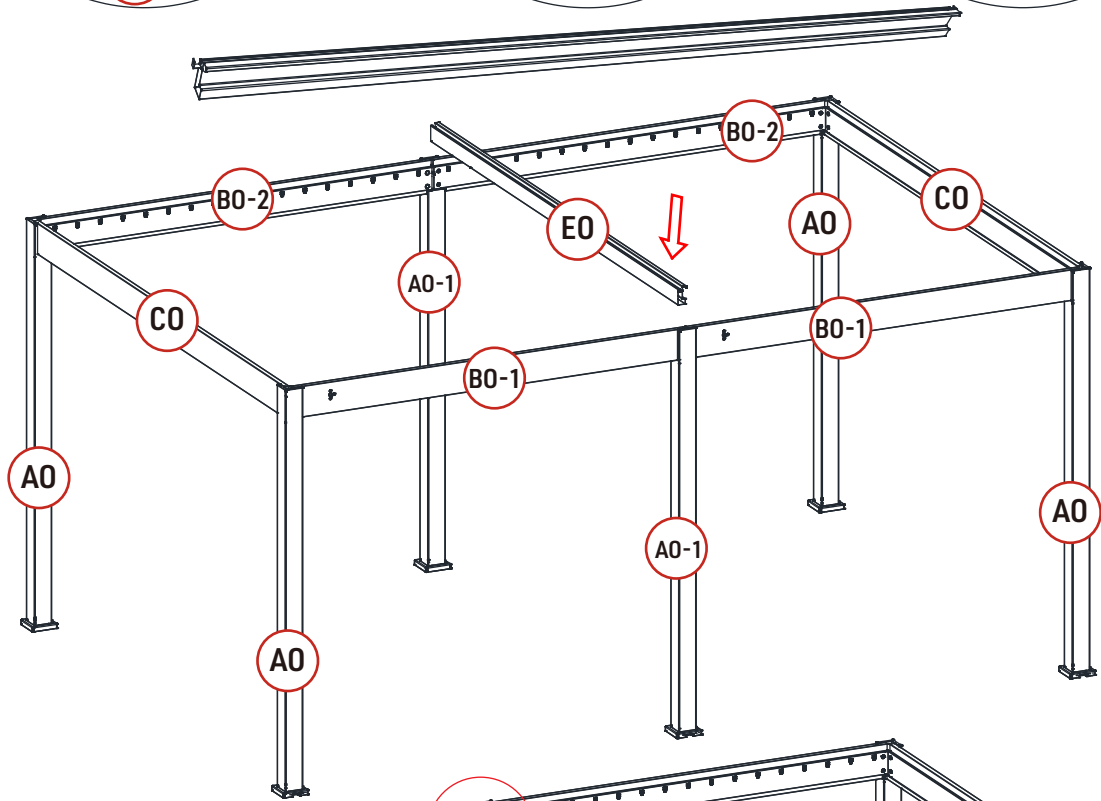
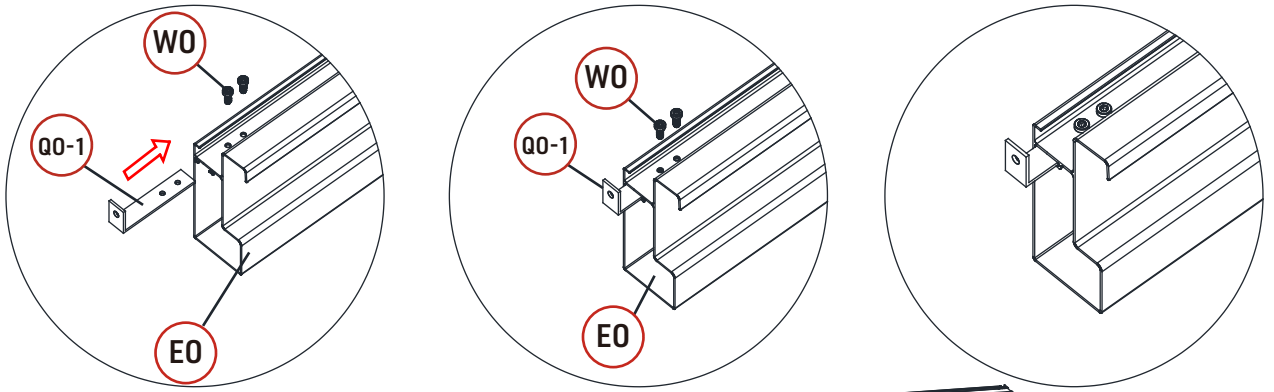
Tools Required for Installation



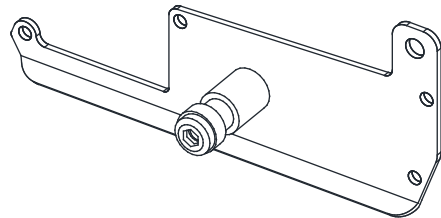
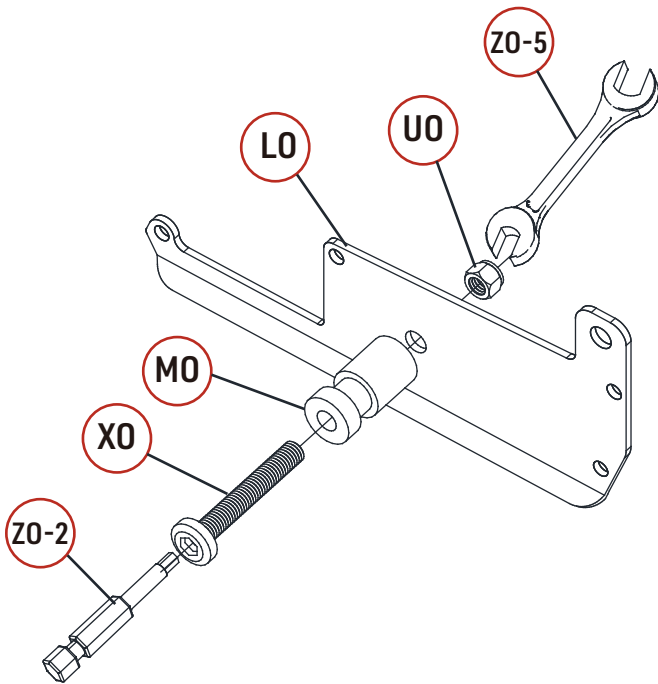
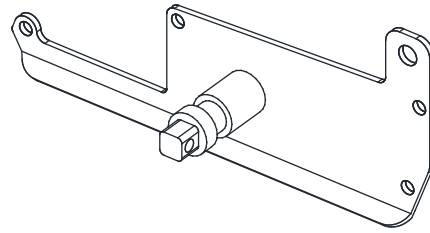




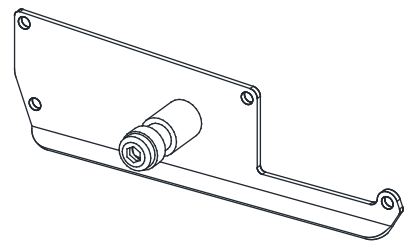
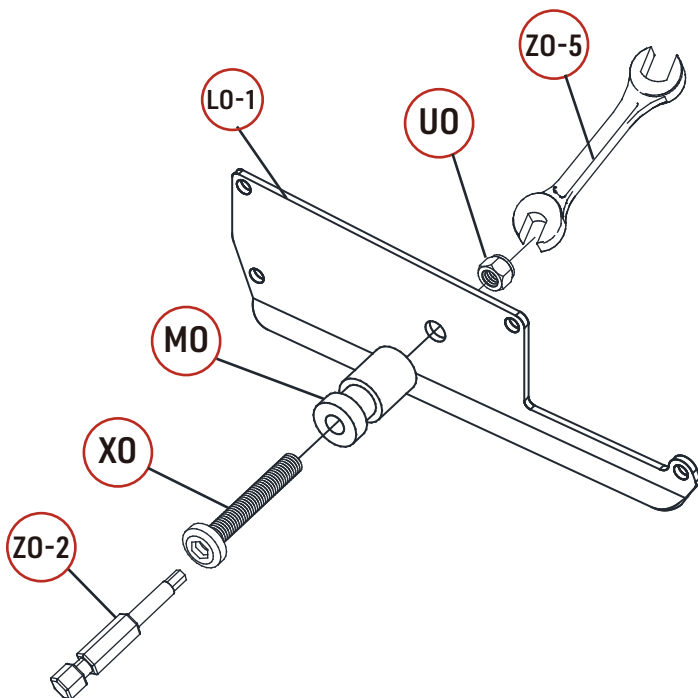




 **K0 X2**

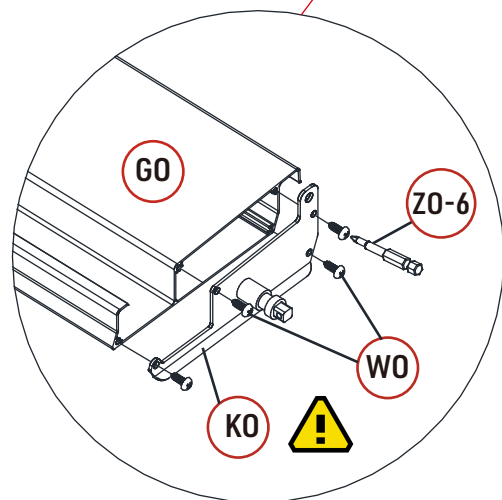
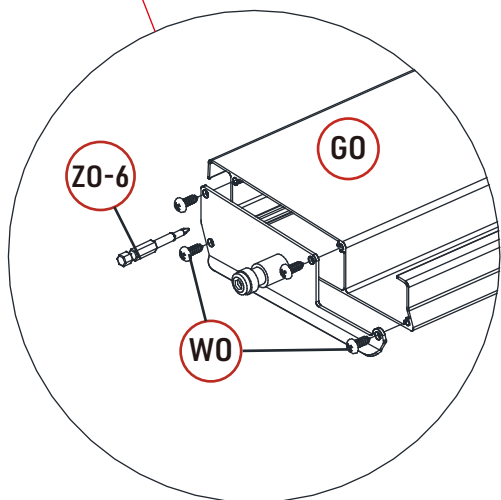


X44



X46

X2



X44

